



SPAURA60
Design by Manuel Vivian

Collection consisting of wall lamps, ceiling lamps and suspended lamps with double-layered coloured Murano glass hand twisted pendants. Available in several colours and sizes. Screw fitting light source.

Typology: SUSPENDED LAMP

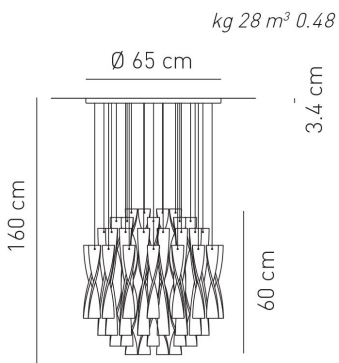
Ratings

- E27
- Surface installation over holes
- Supply voltage ~220-240V
- Switch mode: on-off
- Steel canopy

Product code composition

AURA

Type	Article	Colours	Finish	Source
SP	AURA 60	CS "rigadin" crystal BC white RS red TA tea	CR chrome	E27 1 x Max 35W LED or 1 x Max 250W halogen



CE IP20 +LED 220-240V_{ac}
example composition code PL AURA60 RS CR E27

Available colors



CS
"Rigadin"
crystal



BC
White



RS
Red



TA
Tea



CR
Chrome

EELc (Energy Efficiency Label compatibility): E, D, C, B, A, A+

SPAURA60_ E27

CUSTOMER _____

NOTES _____

NOTICE: Luminous flux (lm) and efficacy (lm/W) for all LED luminaires is estimated based on nominal ratings of the LED sources. Technical data could be subject to alteration without notice. Axo Light does not provide legal guarantee for the accuracy of this data sheet.